

HANDWHEELS

TYPE

PATTERN

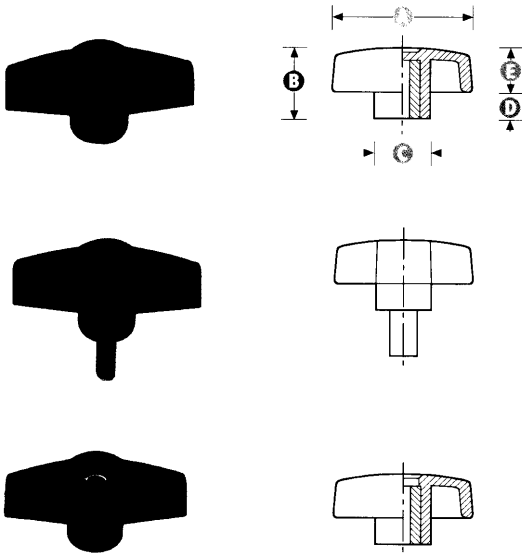


THREAD OR BORE

LENGTH OF MALE THREAD

2 Wing handwheel - high impact resistant

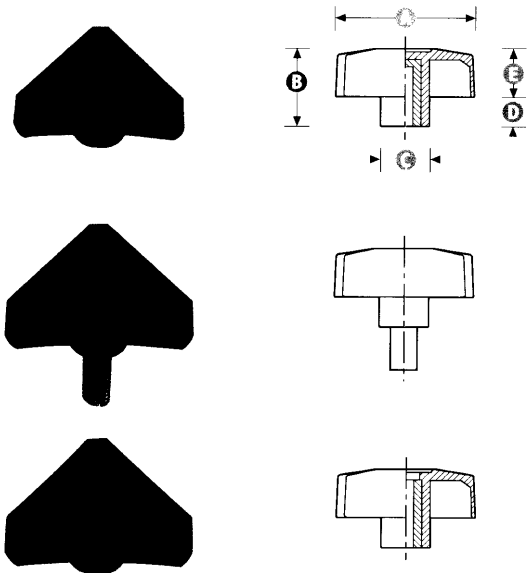
Matt finish thermoplastic



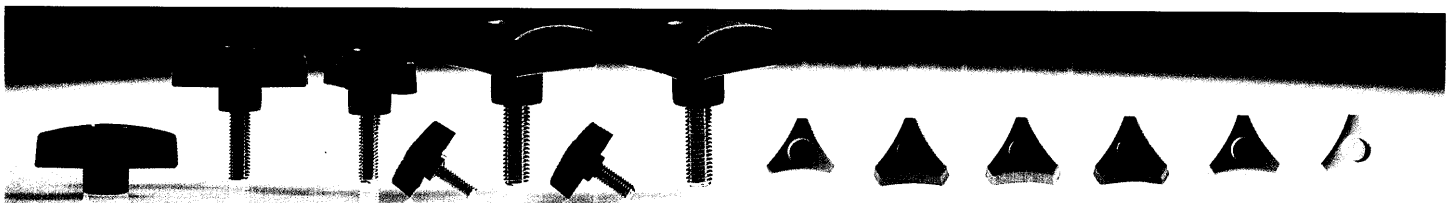
FEMALE	I523	28	13	11	3	10	M5	M6	
Aluminium insert	I516	40	20	15	8	12	M6	M8	
	I517	50	24	15	9	15	M6	M8	
	I518	60	30	19	12	18	M8	M10	
MALE	I523/M	28	13	11	3	10	M5	M6	10 15 20
Plated steel insert	I516/M	40	20	15	8	12	M6	M8	15 20 25 35
	I517/M	50	24	15	9	15	M6	M8	20 25 35 40
	I518/M	60	30	19	12	18	M8	M10	20 30 40
THREADED RIGHT THROUGH	I523/T	28	13	11	3	10	M5	M6	
Aluminium insert	I516/T	40	20	15	8	12	M6	M8	
	I517/T	50	24	15	9	15	M6	M8	
	I518/T	60	30	19	12	18	M8	M10	

Tristar handwheel - high impact resistant

Matt finish thermoplastic



FEMALE	I527	28	17	11	6	11	M5	M6	
Aluminium insert	I510	40	20	15	8	12	M6	M8	
	I511	50	24	15	9	15	M6	M8	
	I512	60	30	19	12	18	M8	M10	
MALE	I527/M	28	17	11	6	11	M5	M6	10 15 20
Plated steel insert	I510/M	40	20	15	8	12	M6	M8	15 20 25 35
	I511/M	50	24	15	9	15	M6	M8	20 25 35 40
	I512/M	60	30	19	12	18	M8	M10	20 30 40
THREADED RIGHT THROUGH	I527/T	28	17	11	6	11	M5	M6	
Aluminium insert	I510/T	40	20	15	8	12	M6	M8	
	I511/T	50	24	15	9	15	M6	M8	
	I512/T	60	30	19	12	18	M8	M10	



TYPE

PATTERN



THREAD OR BORE

LENGTH OF MALE THREAD

Most patterns are available with imperial threads (Whitworth) or bores

Non standard thread diameters, lengths, insert materials and other modifications are available for minimum quantities. The standard colour is black. These patterns are available in a choice of colours. Contact our sales department for details.

All dimensions in mm and are approximate